

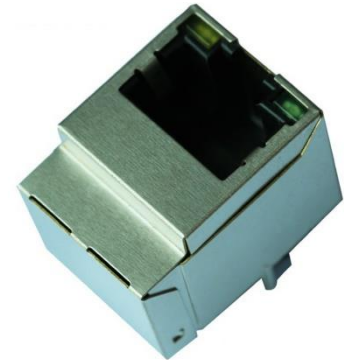
RJ45, magnetics

SRJ110010TVU004M

Description

The SRJ110010TVU004M is a RJ45 connector with 10/100/1000 Base-T and integrated magnetics.

The connector is designed to support application such as SOHO (ADSL modems), LAN-on-Motherboards(LOM), Hub and Switches.



Typical applications

- Ethernet
- Network Switch
- Network Hub
- Modems



Features

Mechanical Properties

Description

Speed	10/100 /1000 Base-T
Number of ports	Single
Latch	Up
Shield EMI Tabs	excluded
Pin type	THT
Application-Lan	Ethernet (NoN PoE)
Led	Include, 2 pcs
Color	Green, Yellow
Housing material	Thermoplastic PBT+30%G.F UL94V-0
Contact material	Phospor Bronze, C5210R-EH Thickness = 0.35mm
Pin material	Brass, C2680R-H Thickness = 0.2mm
Shield Plating material	Copper Alloy Brass, H65Y Thickness = 0.2mm
Contact Plating material	Gold 6 Micro-Inches Min.
Operating Temperature	-40°C~+85°C
Wave Peak Soldering	+265°C Max. 5 sec Max.
Dimensions	21.59 x 16 x 16.39 mm ± 0.1

RJ45, magnetics

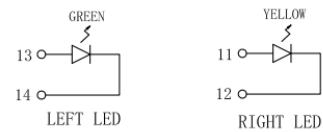
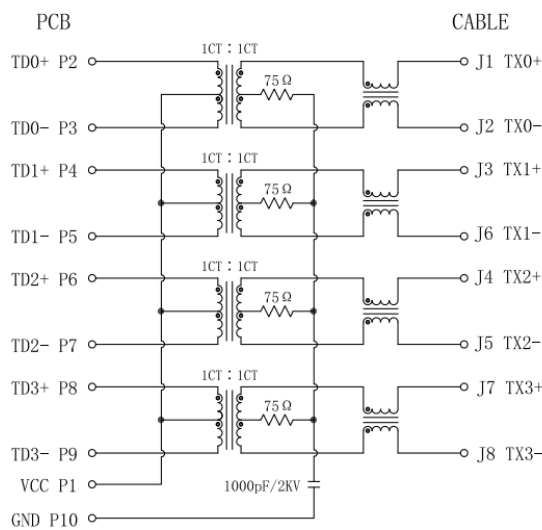
SRJ110010TVU004M

Electrical Properties

Description

Turn Ratio ($\pm 3\%$)	1CT : 1CT
Inductance OCL	350uH Min. @100KHz , 0.1V 8mA DC Bias
Insertion Loss	-1.0dB Max. @1-100MHz
Return Loss	-18dB Min. @1-40MHz -14dB Min. @40-60MHz -12dB Min. @60-80MHz -10dB Min. @80-100MHz
Cross Talk	-30dB Min. @1-100MHz
Common Mode Rejection	-35dB Min. @1-100MHz
Hipot Test	1500Vrms

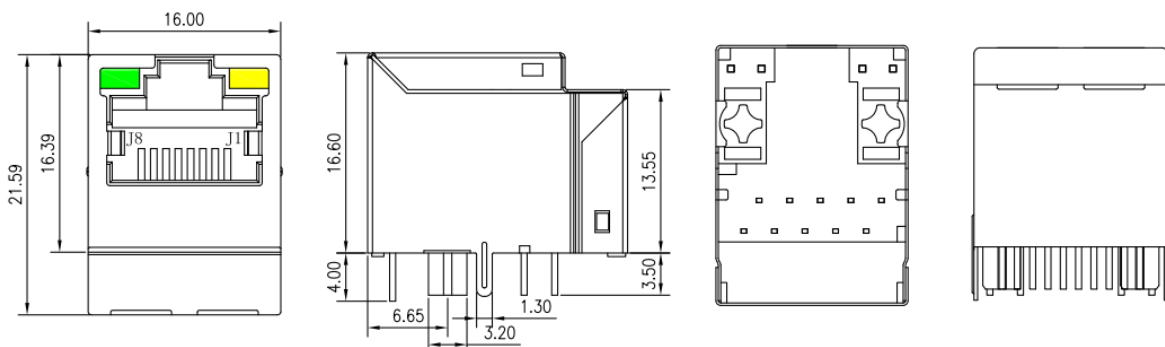
Electrical



Emitting Color	Ap (nm)	VF@IF=20mA	IR @VR=5V
GREEN	565	1.8~2.6V	10uA MAX
YELLOW	585	1.8~2.6V	10uA MAX

Dimensions

*unit: mm

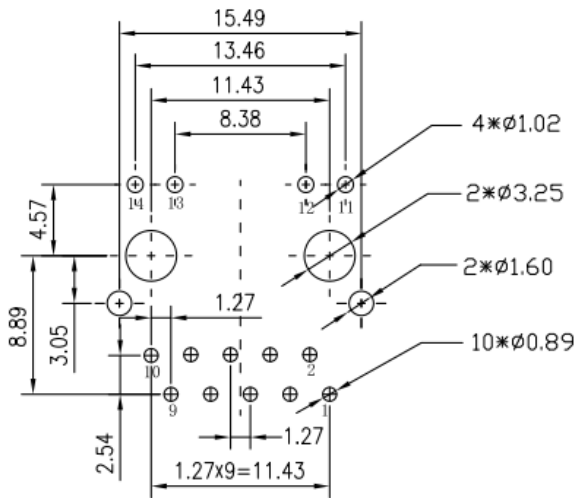


RJ45, magnetics

SRJ110010TVU004M

PCB Footprint

*unit: mm



SUGGESTED PCB LAYOUT (TOP VIEW)

Ordering information

Ordering can be done via www.summit-electronics.com or via info@summit-electronics.com. Please contact us for more information. Customisation of the product is available on request.

Technical support

For all product questions please contact us via info@summit-electronics.com

Document revision

Rev	Date	changes
V01.00	27-06-2023	First issue of document, EK